

Single-axis controller S14



The single-axis controller S14 is a designed hall sensor switching device for electro-hydraulic and remote controlled hydraulic. The modular design of the switching device is universally applicable. The single-axis controller is resistant to oil, maritime conditions e.g. offshore /vessels, UV radiation typically from the sun.



1

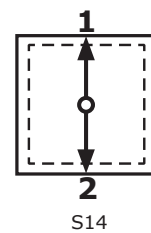
Technical data

Mechanical life S14	6 million operating cycles
Operating temperature	-40°C til +60°C
Degree of protection	IP65

	S14L	S8	Example T	- 01ZC	+ A05 C61	- X
Basic unit						
S14L						
Control-handle extended						
S8 +20mm						
Grip / palm grip						
T Dead man						
Axis 1 (direction 1-2)						
01 2 contacts (2A 250V AC15)						
Z Spring return						
C Mechanical encoder						
Description axis 1 (direction 1-2)						
A05 Arrangement MSP21						
C61 Mechanical encoder MEC 1-2						
Special model						
X Special / customer-specific						

	S14L	S8	T	- 01ZC	+ A05 C61	- X
Basic unit						
S14L 1-axis left						
S14R 1-axis right						
Control-handle extended						
Standard						
S8 +20mm						
Grip / palm grip						
Knob (standard)						
M Mechanical zero interlock						
MH Mechanical zero interlock + signal contact						
T Dead man						
H Signal button						
GK1 Knob 42mm						
GK1M Mechanical zero interlock						
GK1MN Mechanical zero interlock (push down)						
GK1T Dead man						
GK1H Signal button						

Identification of the installation variants with switching directions:



Technical details may vary based on configuration or application! Technical data subject to change without notice!

Single-axis controller S14

S14L S8 T - 01ZC + A05 C61 - X

GK1MH	Mechanical zero interlock + signal contact
GK1D	Push button
GK1DV	Flush push button
GSP	Twist Handle 2x5kOhm + direction track I _{max} = 1mA
B ...	Palm grip B... (see page palm grip 129)

Attention! The single-axis controller S14 is not suited for big palm grip (B3, B7/B8, B9...)!

S14L S8 T - 01ZC + A05 C61 - X

Axis 1: direction 1-2 left / direction 5-6 right

(Standard contacts gold-plated 2A 250V AC15)

01	2 contacts	Standard contact - arrangement see page 112
02	4 contacts	z.B.
03	6 contacts	A05 MS21 A0500 MS21-00 A110 MS24-0 A99 contact - arrangement according customer request
Z	Spring return (included in basic unit!)	
R	Friction brake	
C	Mechanical encoder	C61 MEC 1-2 EA/02-10 I max. 1mA Potentiometer track 2x10kOhm Direction track Arrangement MS26-0 C62 MEC 1-7 EA/10-10 I max. 1mA Potentiometer track 2x5kOhm Direction track Arrangement MS26-0-1 C66 MEC 1-10 EA/17-10 I max. 1mA Potentiometer track 2x1,5kOhm Direction track Arrangement MS21-0+MS21 C63 MEC 1-6 EA/09-10 6 Bit Gray Code C64 MEC 1-6-5 ER/36-10 U _s = 18-30V Current output 20...4...20mA C65 MEC 1-6-8 ER/ 36-10 U _s = 18-30V Current output 20...0...20mA C67 MEC 1-6-9 ER/36-11 U _s = 18-30V Voltage output 10...0...10V <i>More potentiometer on request!</i>

S14L S8 T - 01ZC + A05 C61 - X

Special model

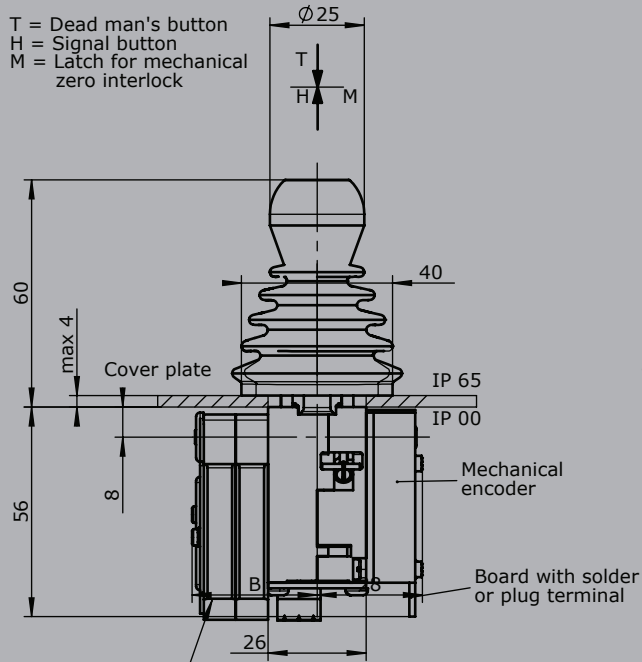
X	Special / customer-specific
---	-----------------------------



Single-axis controller S14

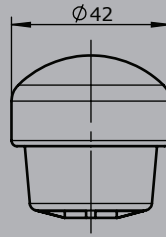
1

T = Dead man's button
H = Signal button
M = Latch for mechanical zero interlock

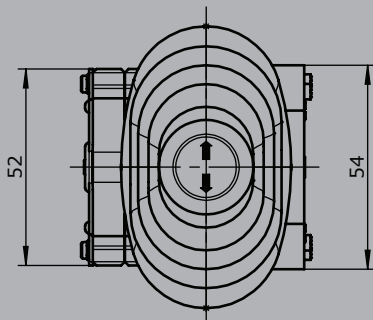
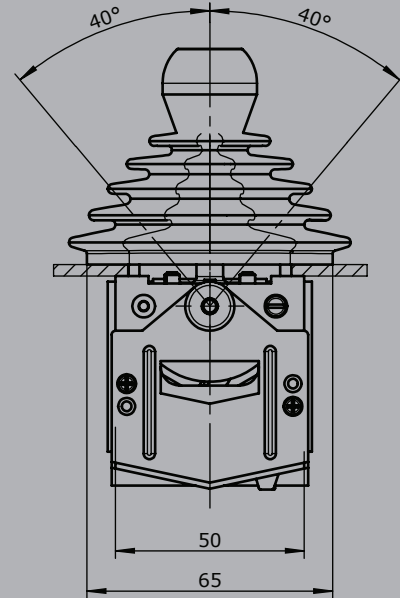


CAGE CLAMP® connection
max. 1,5mm²

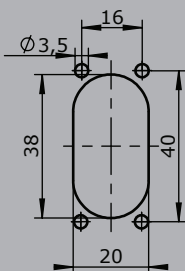
Knob solid GK
for MN, MP



Knob solid GSP
for 3.direction 11-12



Hole pattern



Type	No. of contacts	Dim. B
01	2	24
02	4	33
03	6	42