

# Multi-axis Controller

V21



The V21 is a mini-joystick commonly used in electro-hydraulic applications. The V21 is especially suitable for installation in our ball grips. Long life and high reliability is ensured by the latest contactless hall-technology.

## Technical data

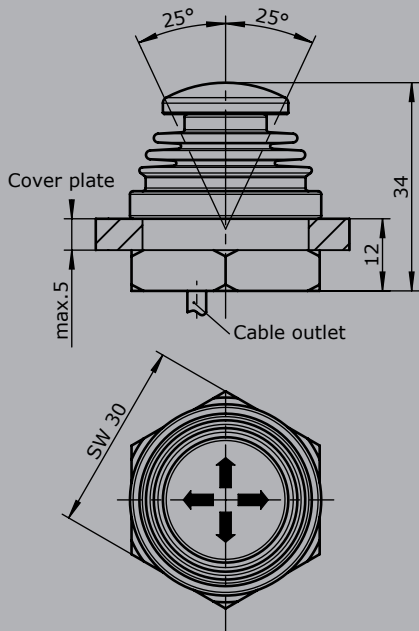
Mechanical life	5 million operating cycles
Operating force	1,6 to 3,5N
Supply voltage	5V DC stabilized
Operation temperature	-40°C to +85°C
Degree of protection	IP67
Functional safety	PLd compatible (EN ISO 13849, complies SIL2 to DIN EN IEC 61508)



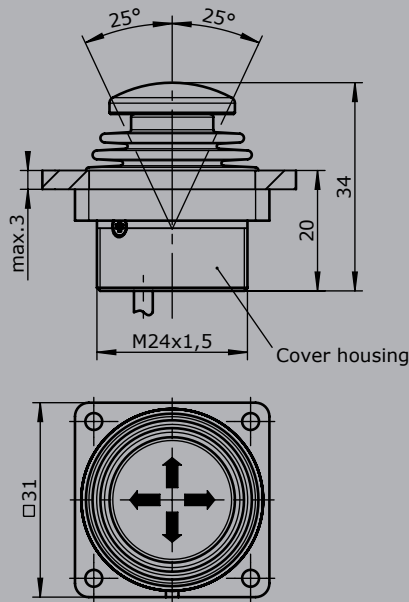
1

		V21	P	Example	-1	-E1032	-X
<b>Basic unit</b>							
V211	1-axis, installation from top with fixing nut						
V21	2-axis, installation from top with fixing nut						
V211A	1-axis, with flange, installation from below						
V21A	2-axis, with flange, installation from below						
V211B	1-axis, with flange, installation from top						
V21B	2-axis, with flange, installation from top						
<b>Gate</b>							
P	Cross gate						
P X	Special gate						
<b>Knob</b>							
	Standard						
1	KBAD 980						
2	KBAD 1658						
3	KBAD 1690						
<b>Interface</b>							
Voltage output							
0,5...2,5...4,5 V redundant at Ub= 5 V		1 axis				E103 1	
		2 axis				2	
		Characteristic:					
		Inverse dual (standard)					1
		Dual					2
<b>Special model</b>							
X	Special / customer specified						

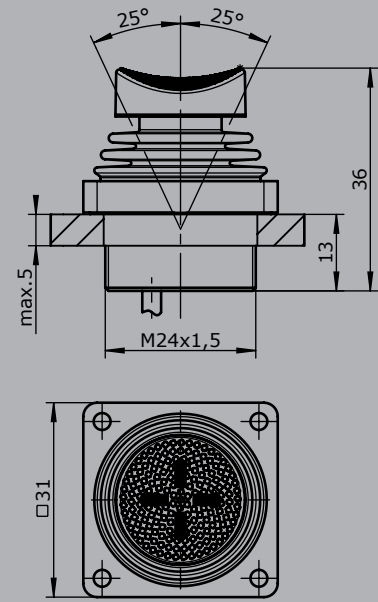
Standard installed from the top



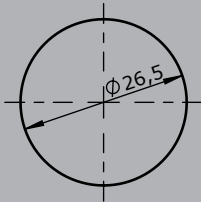
Version A with flange installed from below



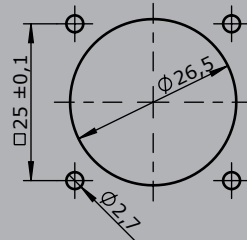
Version B with flange installed from the top with actuator KBAD 980



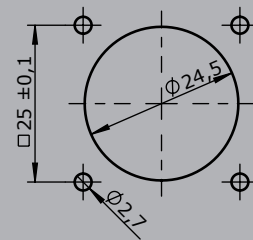
Hole pattern



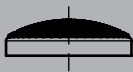
Hole pattern



Hole pattern



Actuator KBAD 1658



Actuator KBAD 1690

