

# Multi-axis Controller

V22



The V22 is a joystick commonly used in electro-hydraulic applications. Long life and high reliability is ensured by the latest contactless hall-technology.

## Technical data

Mechanical life V22	3 million operating cycles
Operation temperature	-40°C to +85°C
Degree of protection	IP67 front
Functional safety	PLd compatible (EN ISO 13849, complies SIL2 to DIN EN IEC 61508)



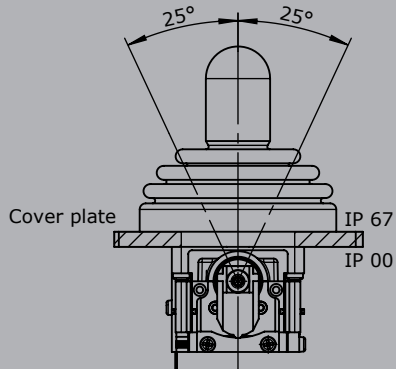
		V22A	-P	Example	D	-E10321	-X
<b>Basic unit</b>							
V22.1A	1-axis with spring return, installation from below						
V22A	2-axis with spring return, installation from below						
V22.1B	1-axis with spring return, installation from top						
V22B	2-axis with spring return, installation from top						
<b>Gate</b>							
P	Cross gate						
P X	Special gate						
<b>Grip</b>							
	Knob (standard)						
D	Push button						
GS9	Hall-twist grip with spring return						
GS9-D	Hall-twist grip with spring return and push button on top						
<b>Interface</b>							
Voltage output							
0,5...2,5...4,5 V redundant at Ub= 5 V							
		1 axis				E103 1	
		2 axis				2	
		Characteristic:					
		Inverse dual (standard)				1	
		Dual				2	
<b>Special model</b>							
X	Special / customer specified						
<b>Attachments</b>							
Mating connector JST 8-pole						5300000260	
Mating connector JST 8-pole with single wire 500 mm long						5300000261	

Technical details may vary based on configuration or application! Technical data subject to change without notice!

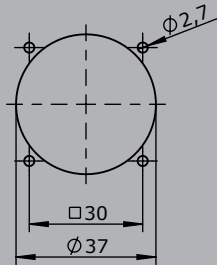
1

## V22A

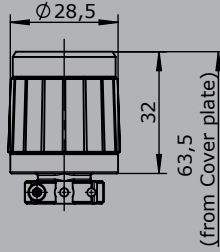
Installed from below



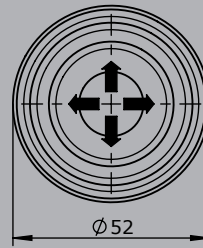
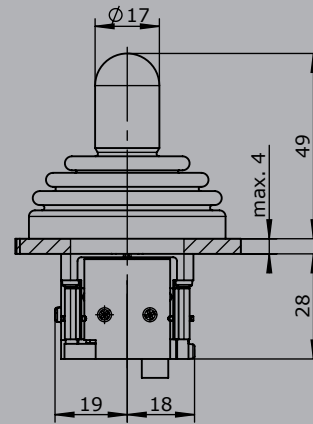
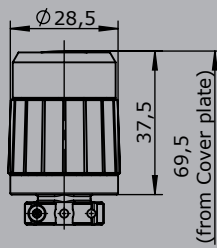
Hole pattern  
(installed from below)



Twist grip

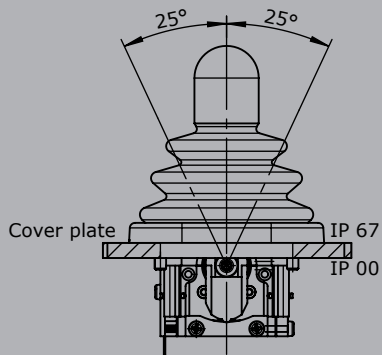


Twist grip  
with Push button



## V22B

Installed from the top



Hole pattern  
(installed from the top)

